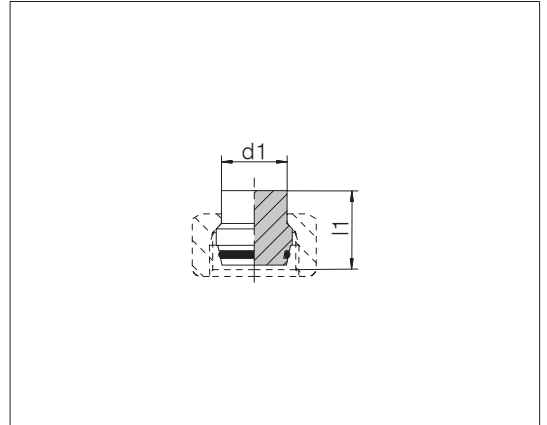


Caps

With taper and O-ring
fit in bore type W DIN 3861/ISO 8434-1

For blind connections of tube couplings

Standard O-ring material is FKM



Series	Tube OD	Pressure	l1	kg/100 ca.	Order-No.	Designation
L/S	6	PN 500/800	18.5	0.6	1793142058	24-PLO-L/S6
L/S	8	PN 500/800	19	1.0	1793152058	24-PLO-L/S8
L/S	10	PN 500/800	21	1.6	1793162058	24-PLO-L/S10
L/S	12	PN 400/630	20.5	2.2	1793172058	24-PLO-L/S12
L	15	PN 400	20.5	3.2	1793082058	24-PLO-L15
L	18	PN 400	23.5	5.1	1793092058	24-PLO-L18
L	22	PN 250	26	8.1	1793102058	24-PLO-L22
L	28	PN 250	26.5	13.0	1793112058	24-PLO-L28
L	35	PN 250	32	24.0	1793122058	24-PLO-L35
L	42	PN 250	32.5	34.6	1793132058	24-PLO-L42
S	14	PN 630	24	3.2	1793182058	24-PLO-S14
S	16	PN 630	25	4.1	1793192058	24-PLO-S16
S	20	PN 420	30.5	8.0	1793202058	24-PLO-S20
S	25	PN 420	32.5	12.4	1793212058	24-PLO-S25
S	30	PN 420	35.5	18.2	1793222058	24-PLO-S30
S	38	PN 420	40.5	31.5	1793232058	24-PLO-S38

Example for comp. :
VKA06VIT